

9685/9686/9687 SERIES

FPC/FFC I-Lock Type Connectors



- I-Lock Type
- Slider Lock structure
- High heat resistance (-40~+105°C)
- 0.5mm pitch SMT

The 9685/9686/9687 series is a 0.5mm-pitch SMT FPC/FFC connector. Iriso original "I-Lock" design prevents FPC/FFC card dropout and makes good tactile while insertion, and improve operation efficiency. it has temporary FPC card holding mechanism to prevent mis-insertion of FPC. It is a high heat resistance(-40~+105°C) product and suitable for variety of industrial and automotive application. Also, 9685/9686 series is a low profile product can help space saving design.

Features

- I-Lock type can prevent half-insertion and incomplete insertion
- Slider Lock structure keeps the card fully inserted and prevent accidental removal after insertion.
- Wide variety of Connection types as well as contact structures, which copes with the insertion directions.
- Compliant with RoHS

Specifications

1	Series No.	9685	9686	9687
2	Pitch	0.5	0.5	0.5
3	No. of contact	4~50	4~50	4~60
4	Connection structure	Right Angle (RA)	Right Angle (RA)	Straight (ST)
5	Contact type	Top	Bottom	Single
6	Lock type	I-Lock, Slider lock	I-Lock, Slider lock	I-Lock, Slider lock
6	Product height	1.8mm	1.8mm	5.5mm
7	Current rating	0.5A	0.5A	0.5A
8	Voltage rating	50V(AC,DC)	50V(AC,DC)	50V(AC,DC)
9	D.W. voltage	AC250V (1min)	AC250V (1min)	AC250V (1min)
10	Insulation Resistance	100MΩ or more	100MΩ or more	100MΩ or more
11	Contact Resistance	30mΩ or below	30mΩ or below	30mΩ or below
12	Operating temperature	-40°C~+105°C	-40°C~+105°C	-40°C~+105°C
13	Plating	Au Plating over Ni	Au Plating over Ni	Au Plating over Ni

Website

http://www.iriso.co.jp/en/product_series/9685/

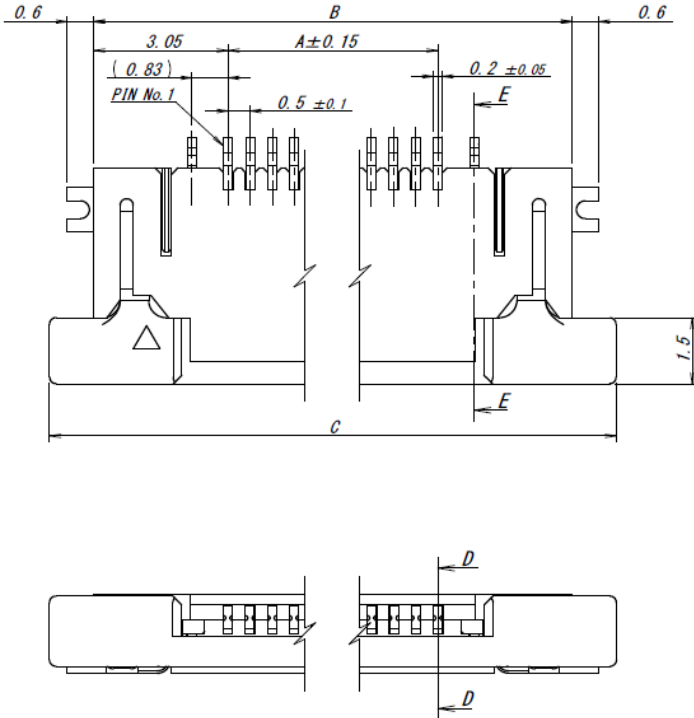
http://www.iriso.co.jp/en/product_series/9686/

http://www.iriso.co.jp/en/product_series/9687/

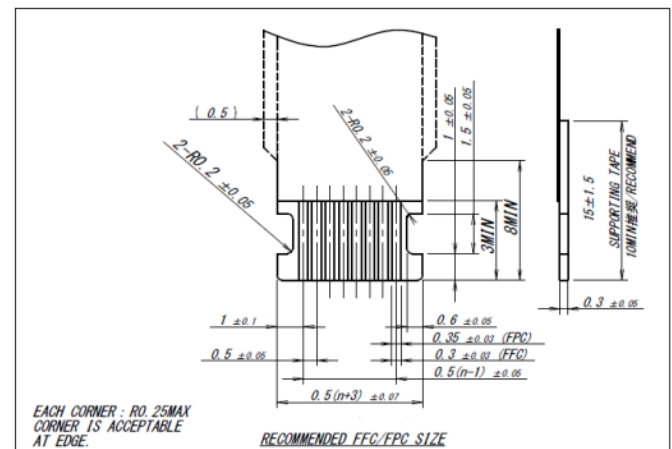
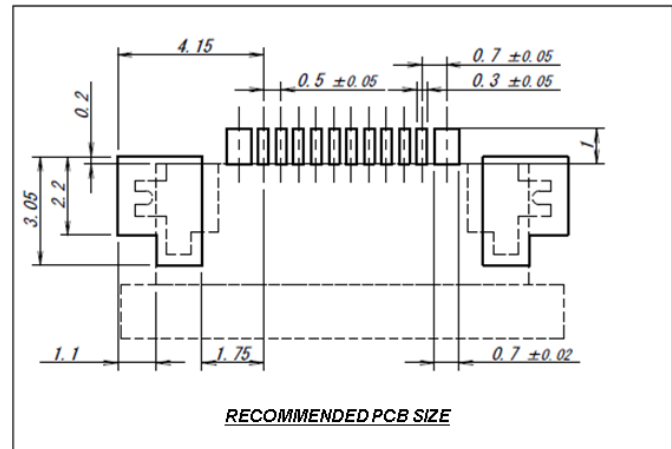
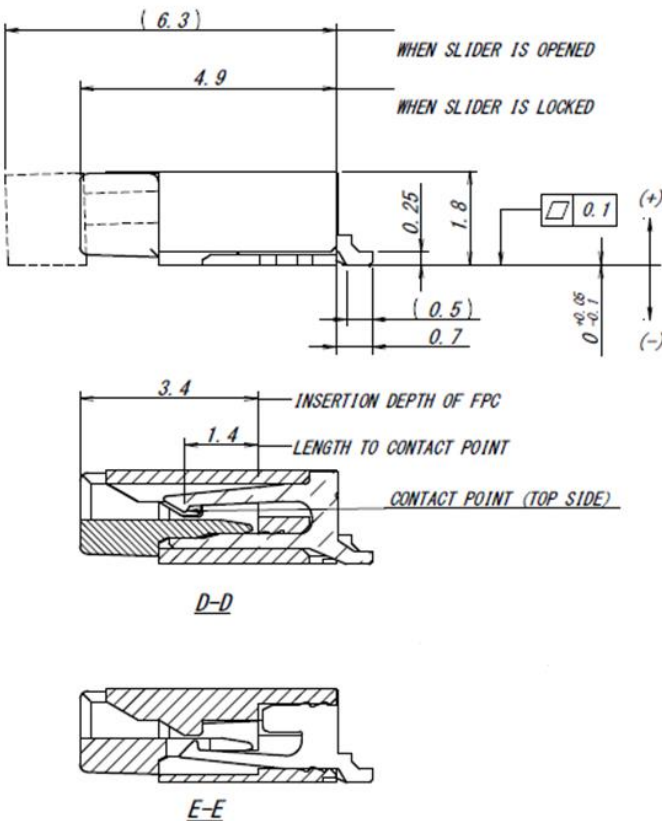
9685 SERIES

IMSA-9685S-**-□-□□

SERIES 9685



CKT	A	B	C
19	9.0	15.1	17.1
20	9.5	15.6	17.6
21	10.0	16.1	18.1
22	10.5	16.6	18.6
23	11.0	17.1	19.1
24	11.5	17.6	19.6
25	12.0	18.1	20.1
26	12.5	18.6	20.6
27	13.0	19.1	21.1
28	13.5	19.6	21.6
29	14.0	20.1	22.1
30	14.5	20.6	22.6
31	15.0	21.1	23.1
32	15.5	21.6	23.6
33	16.0	22.1	24.1
34	16.5	22.6	24.6
35	17.0	23.1	25.1
36	17.5	23.6	25.6
37	18.0	24.1	26.1
38	18.5	24.6	26.6
39	19.0	25.1	27.1
40	19.5	25.6	27.6
41	20.0	26.1	28.1
42	20.5	26.6	28.6
43	21.0	27.1	29.1
44	21.5	27.6	29.6
45	22.0	28.1	30.1
46	22.5	28.6	30.6
47	23.0	29.1	31.1
48	23.5	29.6	31.6
49	24.0	30.1	32.1
50	24.5	30.6	32.6



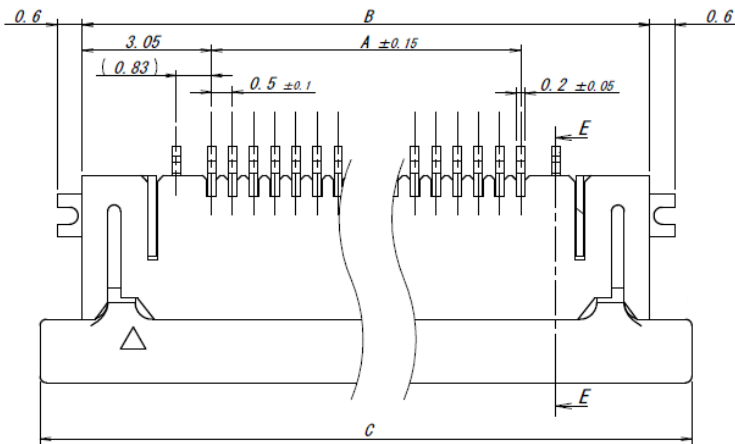
NOTE
1. COPLANARITY OF CONTACT, ANCHOR PLATE AND HALF LOCK CONTACT : 0.1MAX.

EACH CORNER : RO.25MAX
CORNER IS ACCEPTABLE
AT EDGE.

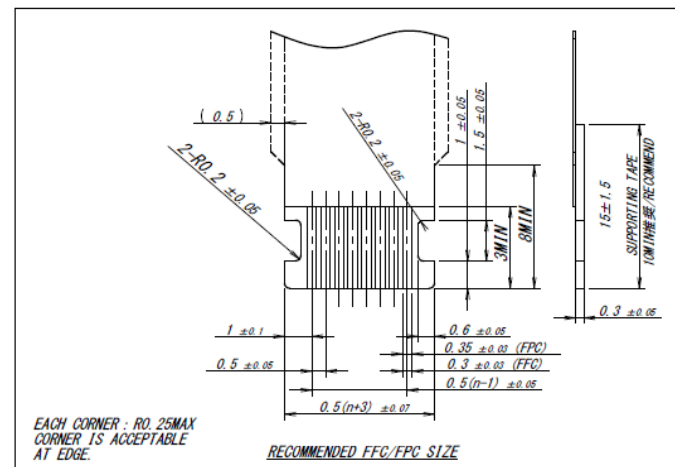
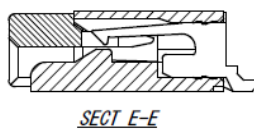
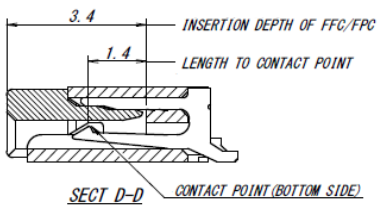
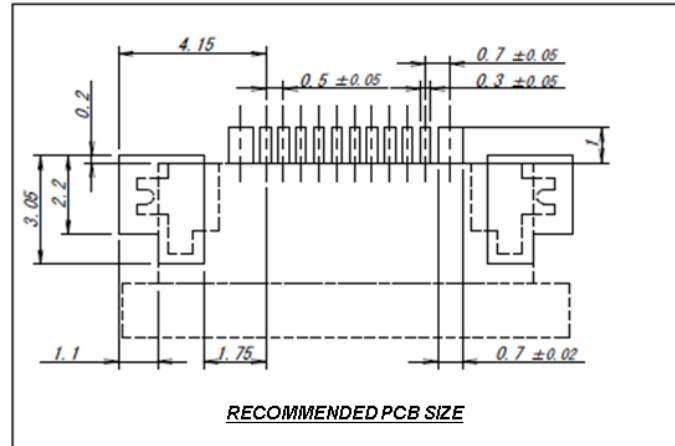
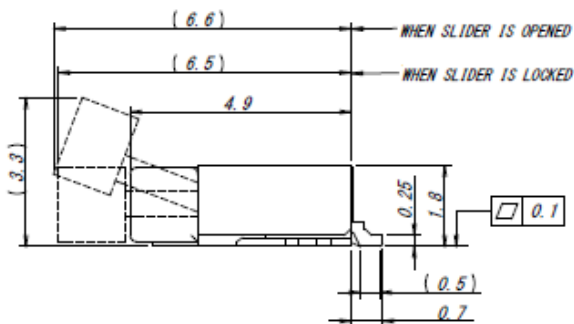
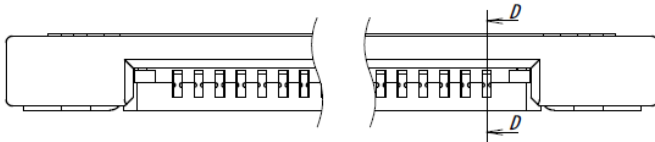
9686 SERIES

IMSA-9686S-**-□-□□

SERIES 9686



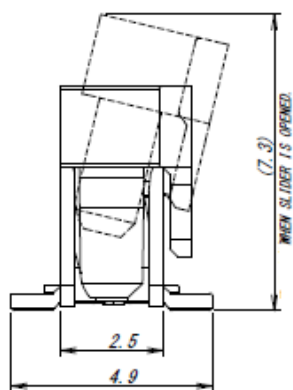
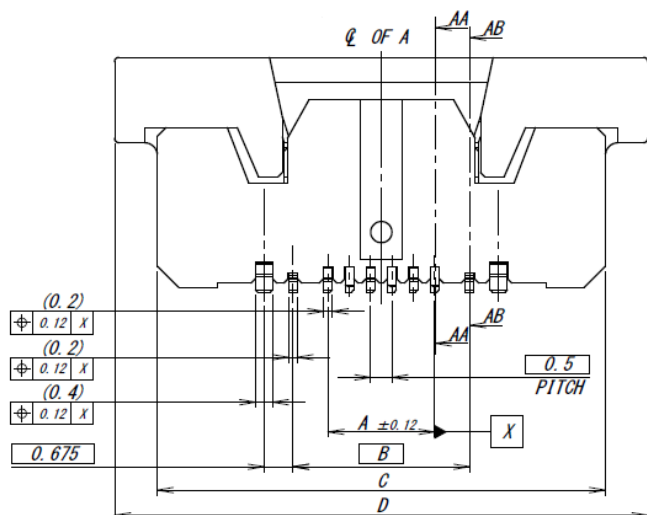
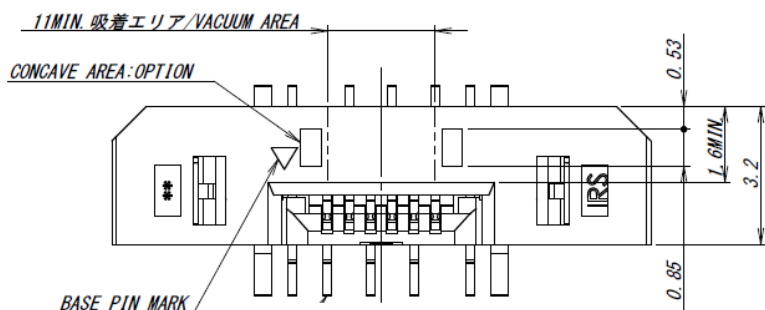
CKT	A	B	C
20	9.5	15.6	17.6
21	10.0	16.1	18.1
22	10.5	16.6	18.6
24	11.5	17.6	19.6
25	12.0	18.1	20.1
26	12.5	18.6	20.6
30	14.5	20.6	22.6
32	15.5	21.6	23.6
34	16.5	22.6	24.6
35	17.0	23.1	25.1
36	17.5	23.6	25.6
40	19.5	25.6	27.6
43	21.0	27.1	29.1
45	22.0	28.1	30.1
50	24.5	30.6	32.6



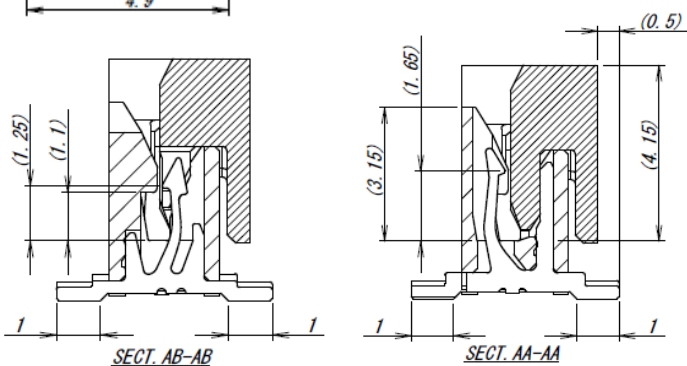
9687 SERIES

IRISA-9687S-**-□-□□

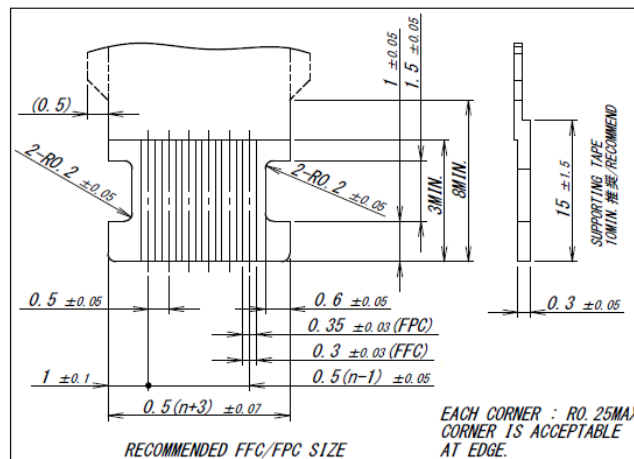
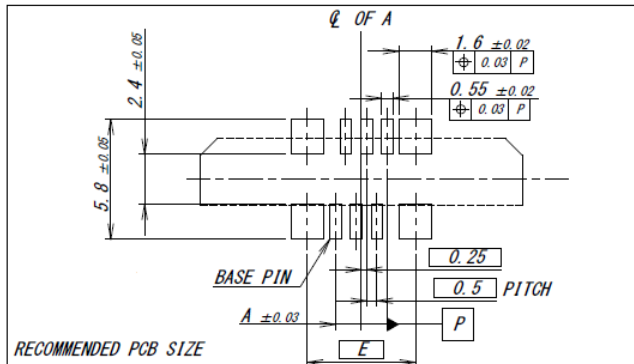
SERIES 9687



NOTE
COPLANARITY : 0.1mmMAX.



CKT	A	B	C	D	E
5	2.0	3.65	10.0	12.0	4.7
6	2.5	4.15	10.5	12.5	5.2
7	3.0	4.65	11.0	13.0	5.7
8	3.5	5.15	11.5	13.5	6.2
9	4.0	5.65	12.0	14.0	6.7
10	4.5	6.15	12.5	14.5	7.2
11	5.0	6.65	13.0	15.0	7.7
12	5.5	7.15	13.5	15.5	8.2
13	6.0	7.65	14.0	16.0	8.7
14	6.5	8.15	14.5	16.5	9.2
15	7.0	8.65	15.0	17.0	9.7
16	7.5	9.15	15.5	17.5	10.2
17	8.0	9.65	16.0	18.0	10.7
18	8.5	10.15	16.5	18.5	11.2
19	9.0	10.65	17.0	19.0	11.7
20	9.5	11.15	17.5	19.5	12.2
21	10.0	11.65	18.0	20.0	12.7
22	10.5	12.15	18.5	20.5	13.2
23	11.0	12.65	19.0	21.0	13.7
24	11.5	13.15	19.5	21.5	14.2
25	12.0	13.65	20.0	22.0	14.7
26	12.5	14.15	20.5	22.5	15.2
28	13.5	15.15	21.5	23.5	16.2
30	14.5	16.15	22.5	24.5	17.2
32	15.5	17.15	23.5	25.5	18.2
33	16.0	17.65	24.0	26.0	18.7
34	16.5	18.15	24.5	26.5	19.2
35	17.0	18.65	25.0	27.0	19.7
36	17.5	19.15	25.5	27.5	20.2
40	19.5	21.15	27.5	29.5	22.2
42	20.5	22.15	28.5	30.5	23.2
45	22.0	23.65	30.0	32.0	24.7
46	22.5	24.15	30.5	32.5	25.2
47	23.0	24.65	31.0	33.0	25.7
50	24.5	26.15	32.5	34.5	27.2
55	27.0	28.65	35.0	37.0	29.7
60	29.5	31.15	37.5	39.5	32.2



IRISO U.S.A., INC.

*Specification is subject to change without prior notice for improving performance of the product and so on.
*Dimension and specification described herein are limited to major items. When applying the products, please confirm details on drawing and specification sheets which will be provided upon request.

34405 West Twelve Mile Road, Suite 237 Farmington Hills, MI 48331, U.S.A.
TEL: 248-324-9780 FAX: 248-324-9783
<http://www.iriso.co.jp/en/>